

All dimensions shown are in millimetres

Test pressure: **8 BAR**
 Max working pressure: **6 BAR**
 Max working temperature: **90° C**

Heat output determined in accordance with EN 442

Construction: **extruded aluminium section with aluminium water circuit plastic chrome end trims**
 Connections: **½ inch BSP opposite end tappings**
 Manufactured for Bisque in Italy

Model	Output ΔT=30K Watts	Output ΔT=50K Watts	n	Water Content litres	Weight kg	Height ± 2mm	Length ± 2mm	Tapping Centres ± 2mm	Fixing Centres ± 2mm
BLAT-60-33	156	297	1.27	0.59	4.33	590	327	n/a	330
BLAT-130-33	292	562	1.27	1.09	8.52	1290	327	n/a	1030
BLAT-160-33	349	675	1.28	1.31	10.32	1590	327	n/a	1330
BLAT-190-33	407	789	1.30	1.51	12.11	1890	327	n/a	1630

Tools & Material Required

Suitable valves
 PTFE tape
 Silicone thread sealant
 Tape measure
 Screwdriver - crosshead & flathead
 13mm socket/spanner
 Electric drill
 Masonry drill bit - 10mm diameter
 Spirit level

Key	Component	Qty
A	Towel Rail	* 1
B	Screw - 5mm dia x 15mm	**2
C	Air Vent - 1/2"	1
D	Blanking Plug	1
E	Wall Plug	4
F	Bracket	4
G	Plastic Insert	8
H	Screw - Hex Head, 8mm dia x 65mm	4

* 2 if fitting additional towel rail

**4 if fitting additional towel rail

Assembly Instructions

Sufficient PTFE tape must be applied to valve-tail thread prior to its installation.

Silicone thread sealant should be applied to all threaded components manufactured with 'O-rings'.

Slide towel rail (A) over bottom of radiator.

Screw towel rail (A) to radiator with 5mm diameter x 15mm screws (B).

Fit air vent (C) & blanking plug (D).

Accurately mark out bracket holes on wall using spirit level.

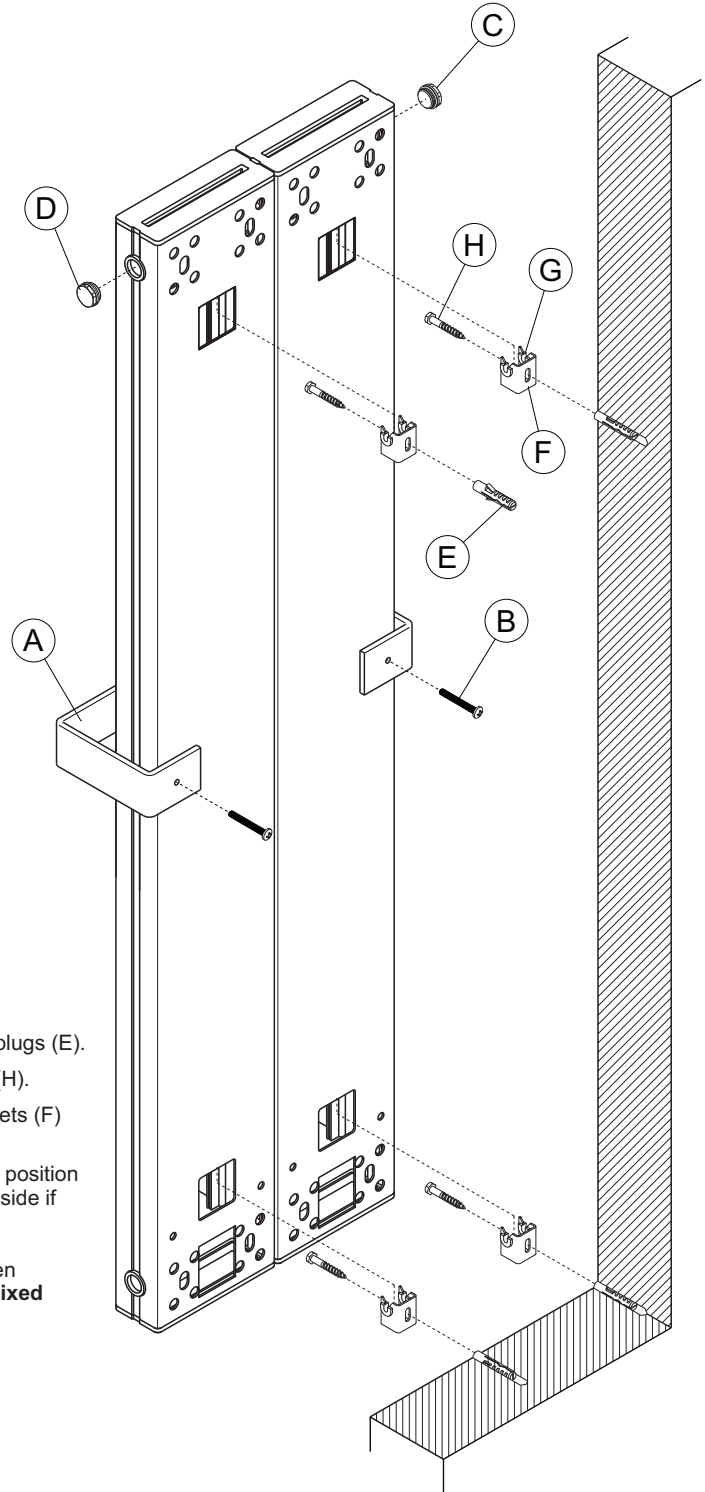
Drill four 10mm diameter holes to a minimum depth of 75mm & insert wall plugs (E).

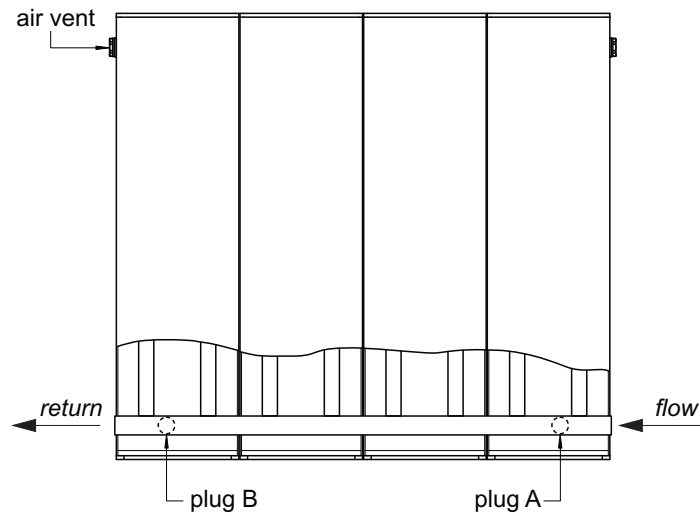
Screw brackets (F) into wall plugs (E) with 8mm diameter x 65mm screws (H).

Hang radiator on brackets, ensuring that the plastic inserts (G) in the brackets (F) engage with the rear face of the radiator.

Plumb radiator to heating circuit with flow opposite air vent. Flow & diverter position indicated by a yellow plug. Diverter can be removed and swapped to other side if required.

This radiator should be installed onto a central heating system that has been cleaned/flushed and contains water treatment and inhibitor suitable for a **mixed metal system** in accordance with BS7593.





Radiator Baffle Position
(viewed from front of radiator)

For Standard Right Hand Flow

- do nothing as the diverter is factory fitted under plug A

For Left Hand Flow

- remove plugs A & B
- push the diverter from position A to position B
- replace plugs A & B
- air vent should be fitted diagonally opposite to flow